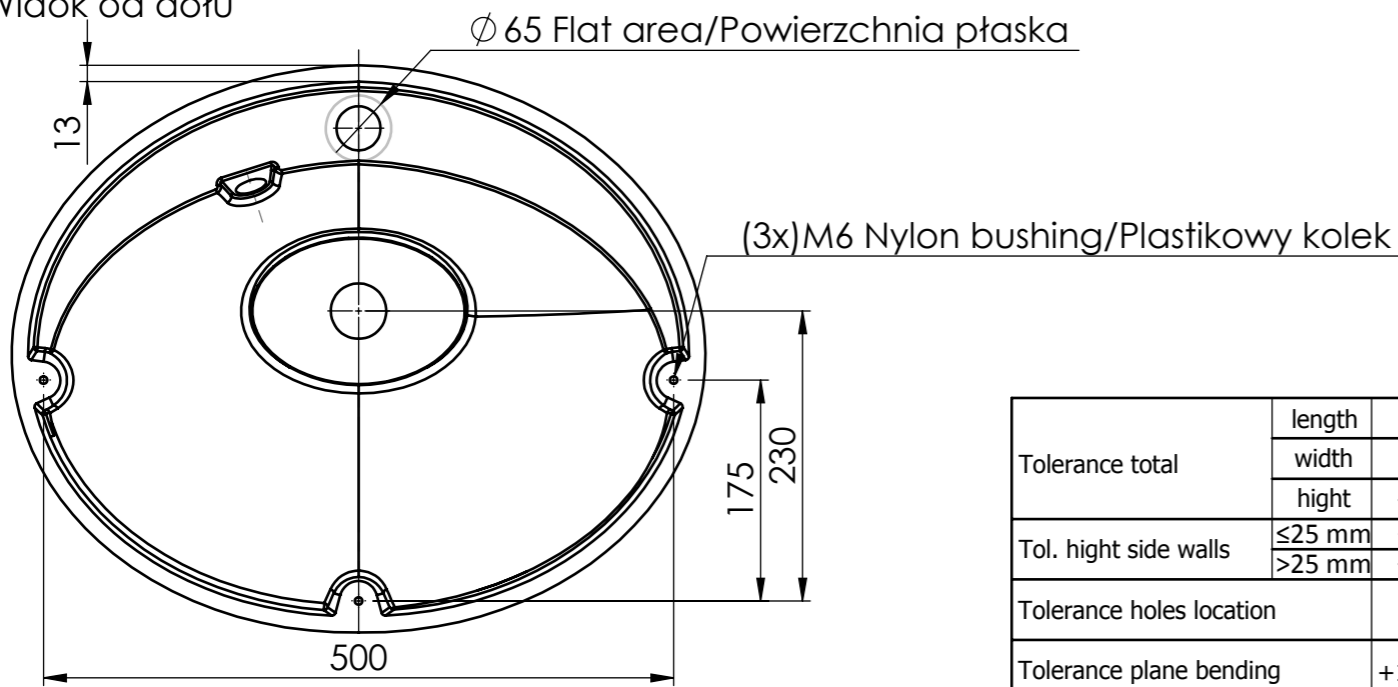


Bottom view/
Widok od dołu



Tolerance total	length	+3/0 mm	Drawn by	Created Date	Checked by	Art. Name:	
	width	+2/0 mm					
Tol. height side walls	≤25 mm	+1/-1 mm	Project status	Client	Material volume [mm³]	Overflow	
	>25 mm	+2/-2 mm				Yes	
Tolerance holes location		+2/-2 mm			Taphole	1	
Tolerance plane bending		+1,5/-1,5 mm			Surface area [mm²]	A3	
						Scale	1:5
						Main dimensions L x W / H [mm]	550 x 450 / 137
						Current revision	