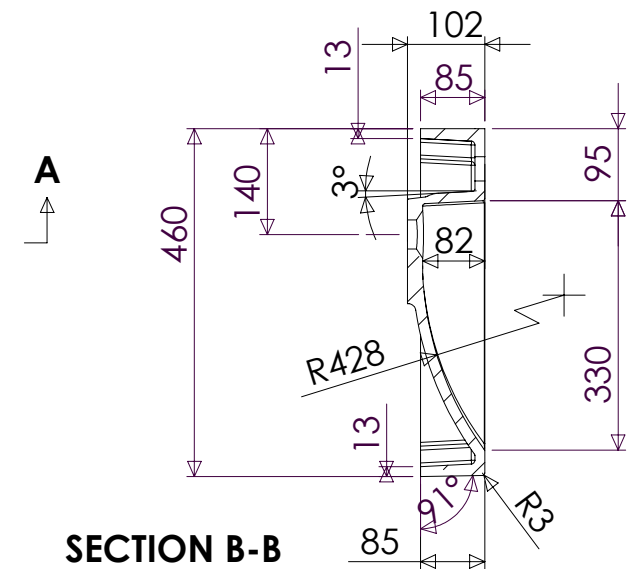
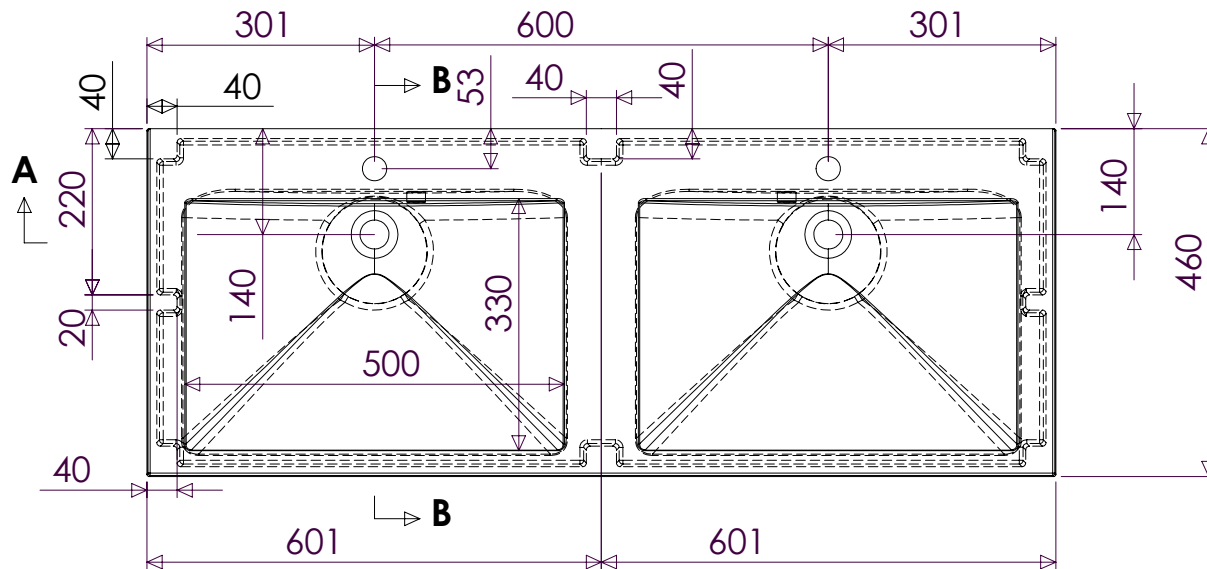
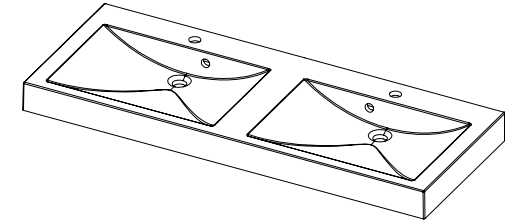


SECTION A-A



SECTION B-B

Tolerance length	+3/-0 mm			Skala	1:5		1202	
Tolerance length granite	+1,5/-1,5 mm						ErsÖtter	
Tolerance taphole location	+3/-3 mm							
Variation overflowhole location	+3/-3 mm							
Tolerance plane bending	+1,5/-1,5 mm							
							6010031242xx	
							1202 x 460	Ritning
								1:5